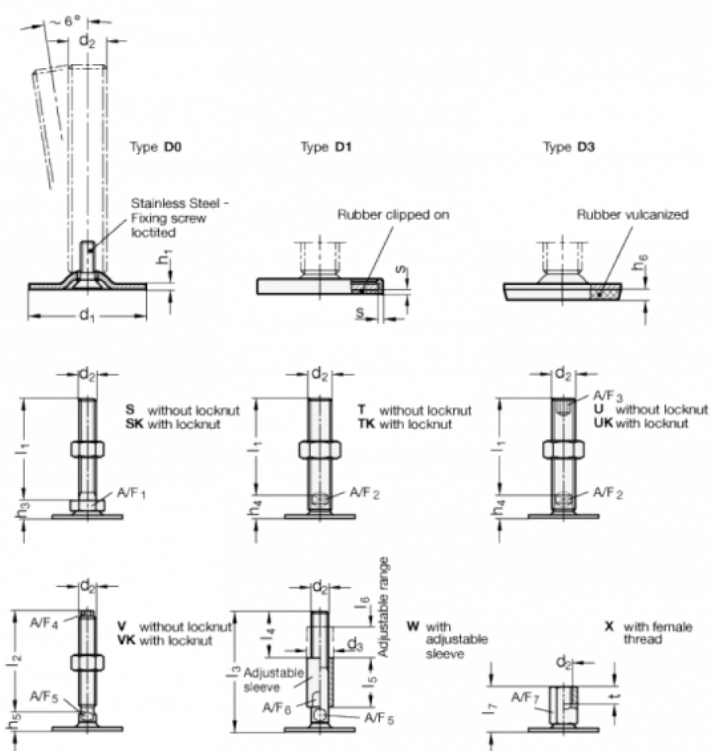


Article number: 204180M16100D3U

Description: E+G levelling foot
GN 41-80-M16-100-D3-U

Note: U Without nut, Hexagon socket at the top, Wrench flat at the bottom

Measures



A/F2 = 12

s =

A/F3 = 8

d1 = 80

d2 = M16

h1 = 3

h4 = 18

h6 = 5

l1 = 100